

You can now transform your home with traditional sash windows loaded with modern features



Rose 
collection

Stylish, authentic uPVC sash windows



P Permit holders only
Mon - Sun
8am - 6pm

BEVERLY COURT

Here's what makes it so spectacular:



The Outside

- Authentic putty lines & glass lines
- Range of textures and colours available
- Period astragal bars available in various designs
- 44mm meeting rail
- Optional run-through sash horn
- Deep bottom rail

The **Heritage** Rose

Authenticity is the watchword of the Heritage Rose. Accepted for use in conservation areas as discerning as the London Borough of Kensington and Chelsea, Lincoln, Worcester, and Cambridge, the Heritage Rose looks every inch the iconic timber sash window – while delivering the convenience and all-round excellence of modern uPVC.

All around the UK, more and more people are choosing the Heritage Rose when it comes to replacing their existing windows – won over by a generous selection of colour and finishing options, its robust energy and security performance, and, above all, its incomparable vintage charm.

With its sleek sight-lines, deep bottom rail, external putty lines and other period detailing, the Heritage Rose is near-indistinguishable from a timber original, offering a level of class and authenticity second only to the Ultimate Rose.



Meeting rail and RTH



Acorn furniture



Polished weld (Optional)



Deep bottom rail

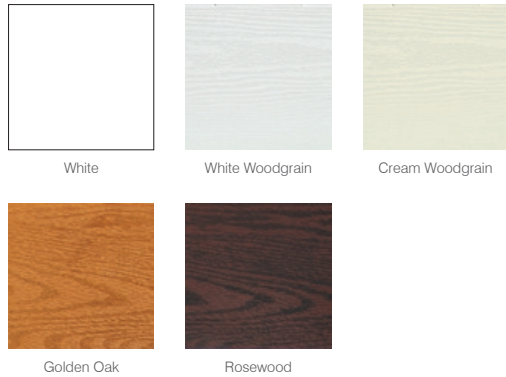


Shrublands

*Impeccably authentic,
and accepted in
conservation areas
right across the UK*

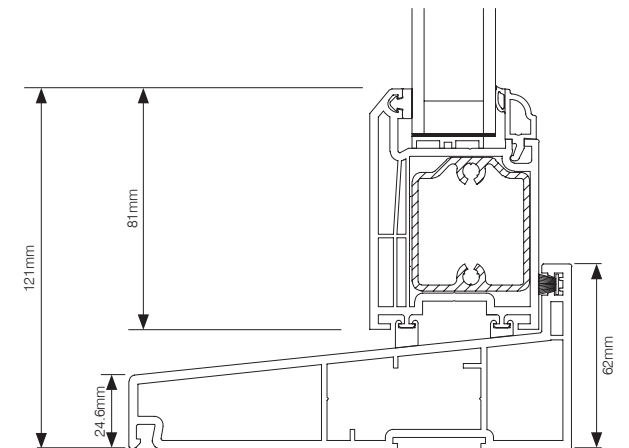
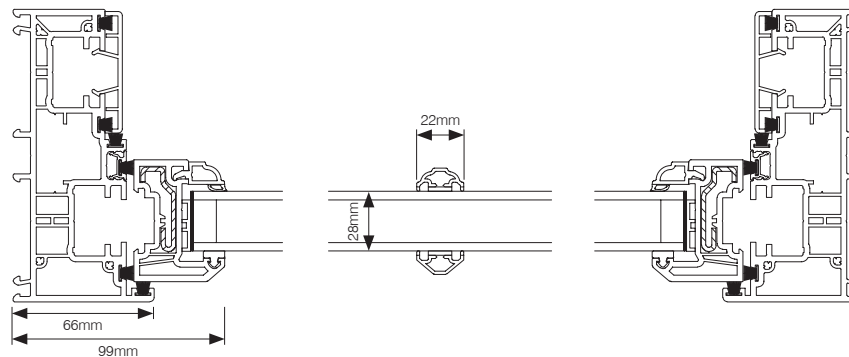
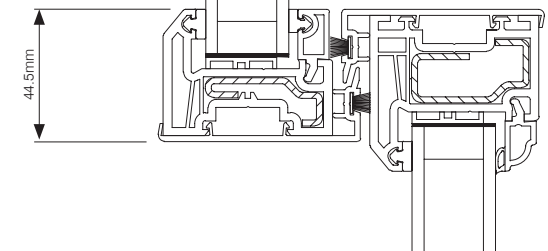
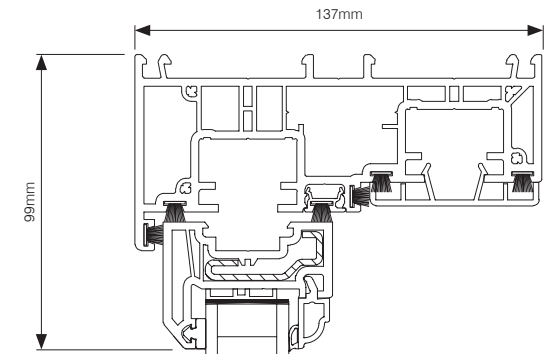
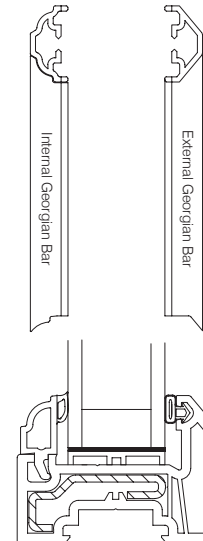
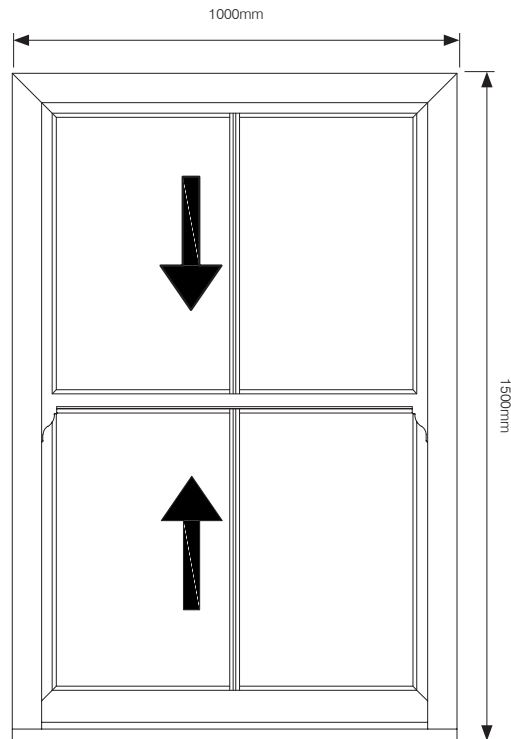
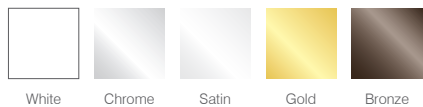
TheHeritageRose

Colour options



We can also supply the Heritage Rose window in any RAL colour. Please ask for details.

Colour hardware options





- A-rated energy efficiency
- Tilting sashes for easy cleaning
- Secured by Design-enhanced window security (optional)
- Authentic astragal bar designs and layouts
- Extensive array of colours & woodgrain finishes
- Wide choice of window furniture and glazing options
- Limit stops that restrict how far sashes open, enhancing safety (optional)
- Market-leading authenticity, with deep bottom rails, putty lines and decorative sash horns



Rose Collection Benefits



We've spent a long time producing the show-stopping vintage aesthetics of the Rose Collection. For years, the biggest drawback of uPVC was its appearance. It was durable, weather resistant, thermally efficient - but it looked like plastic.

Now, we've made uPVC look as good as it's ever looked - which means you can finally fully appreciate the

fantastic benefits this all-round exceptional material has to offer.

Our uPVC sash windows are brilliantly versatile, able to be customised with an extensive range of astragal bar designs and other features, they're blissfully easy to keep clean, and require incredibly little maintenance - all while delivering incomparable vintage aesthetics.

Energy

Each Rose Collection window has been awarded thermal efficiency rating: A.

A-rated windows bring significant savings on home energy bills - and are better for the environment too. Given that the Building Research Establishment's authoritative Green Guide has already declared uPVC windows as equal to or even better than timber when it comes to sustainability, environmental impact and energy efficiency, you can rest assured that when you purchase a Rose Collection window, you're making an environmentally responsible choice.

What's more, unless properly maintained and regularly treated and repainted, timber is liable to warp, rot or otherwise lose performance under sustained exposure to the elements. UPVC suffers from none of these problems - meaning that a Rose Collection window will stay beautiful for decades to come.

Security

The most important consideration of all, though, is security. For your safety, your family's safety, and the security of everything you own, it's vital that your windows are as secure as they can possibly be.

To help consumers make informed decisions when it comes to window security, the police have introduced an initiative called Secured by Design. Based on the Enhanced Window Security British Standard (BS 7950), SBD testing requires windows to demonstrate they have been designed with the utmost security in mind, as judged by the Association of Chief Police Officers. Only then can products be registered as Secured by Design.

If you would like your Rose Collection products to be Secured by Design accredited, you can request them as such when you place an order.

A living room with a large bay window. The window is white and has multiple panes. Outside, there is a green lawn, trees, and a house. The room has a red wall, a television on a wooden stand, and a quilted sofa. The ceiling has a decorative border.

Not only the most authentic uPVC sash windows on the market, but among the most thermally efficient



Specialists in our field

It's the scrupulous, craftsman-like attention to detail that sets the Rose Collection apart from the competition – and that makes our products the most authentic on the market.

But that's not all: we pride ourselves on doing our utmost to tailor Rose Collection products to the needs of individual homeowners.

No matter the complexity or peculiarity of your

specific requirements, or the type of property you live in, we've got the knowledge and experience to provide Rose Collection windows perfectly tailored to your home.

From 85mm slim mullion combinations (instead of the usual 132mm) to complex astragal bar designs, coloured glass and more, we can produce a Rose Collection window that makes your vision a reality.

Edwardian



Georgian

Victorian



Product: Ultimate Rose



Product: Ultimate Rose



Product: Heritage Rose



Product: Ultimate Rose



Product: Ultimate Rose



Product: Ultimate Rose



Product: Charisma Rose



Product: Heritage Rose



Product: Charisma Rose

Original Timber Sash Window



Heritage
rose 



Your local Supplier

Manufactured by

Roseview
windows



@_RoseCollection



@Rosesashwindows



@Roseview_Windows